

TAPPO COPRILAVORAZIONE

TAPPO COPRILAVORAZIONE | COVER PLUG
CACHE USINAGE | TAPÓN PARA CUBRIR LA MECANIZACIÓN



Realizzato in nylon.



Made of nylon.



Réalisé en nylon.

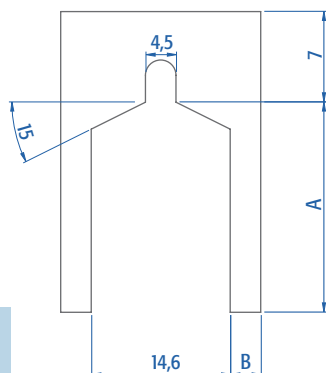
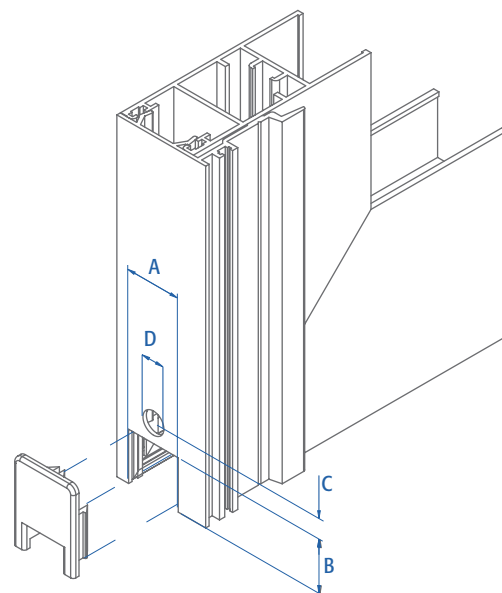


Fabricado en nylon.

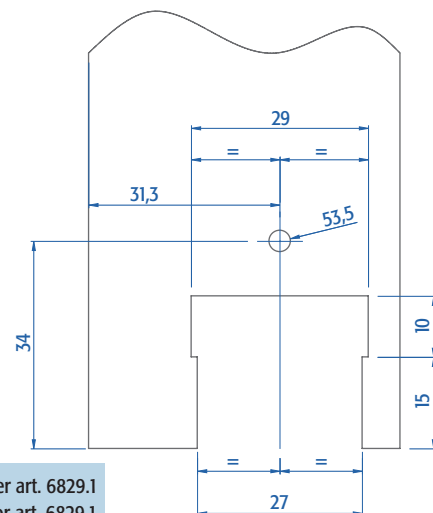
CONFEZIONAMENTO E FINITURE | PACKAGING AND FINISHES | CONDITIONNEMENT ET FINITIONS | EMBALAJE Y ACABADOS

ART.	TUTTI ALL TOUS TODOS
Imballo Package Conditionnement Embalaje	100 Pz
Finiture disponibili Available finishes Finitions disponibles Acabados disponibles	1 2 3 4 5 6

ESTRUSORE EXTRUDER	SERIE SERIES	ART.	A	B	C	D
ALCAN	Abithal Runner	6822	16	22	4	4
ALL.CO	Export 60	6822	16	22	4	4
EKU Sistemi (Gruppo Profilati)	PE 60 Slide	6822	16	22	4	4
	PE 70 Slide	6829	20	24	17,4	5
	PE 70 Slide TT	6829	20	24	17,4	5
EQUIPE	Sistemi 8000	6822	16	22	4	4
	Sistemi 8000 S	6822	16	22	4	4
ETNALL	40000	6823	13	22	13	5
HYDRO	Domal 40 S	6822	16	22	4	4
	Domal Slide 56	6829	20	21	13,25	5X5
	Domal Slide 80	6829.1	---	---	---	---
	Domal Slide PA 80	6829.1	---	---	---	---
IBLEA COLOR GROUP	Ekuvierre 100 S TT	6829.1	---	---	---	---
	Ekuvierre 100 SW TT	6829.1	---	---	---	---
INDINVEST	Alpha 560 S	6822	16	22	4	4
METRA	NC 60 int.	6823	13	22	13	5
	NC 60 sth	6860.1	16/18	25	19,5	5
	NC 70	6860.2	18	26,5	7	5
	NC 90 S	6860.2	18	26,5	7	5
PASSERINI	Skeit 60 super anta da 32	6827	26	---	---	---
	Skeit 60 super anta da 36	6827	26	---	---	---
	Skeit 60 super TH	6827	26	---	---	---
	Skeit 70	6827	25	---	---	---
SAPA	Erre 50 S	6821	18,5	18,5	6,5	7



Solo per art. 6827
Only for art. 6827



Solo per art. 6829.1
Only for art. 6829.1