

MULTICOMFORT MANIGLIE A CONCHIGLIA

MANIGLIE A CONCHIGLIA | SHELL HANDLES
POIGNES COQUILLE | MANILLAS A CONCHA



Realizzate principalmente in zama, disponibili in diversi colori grazie al particolare sistema di verniciatura (termolaccaggio a polvere, identico al profilo).



Made principally of zamak, available in different colors thanks to the special paint system (powder coating, identical to the profile).



Réalisées principalement en zamak, disponibles en couleurs différentes grâce au système de laquage spécifique (thermolaquage avec poudre, identique au profilé).

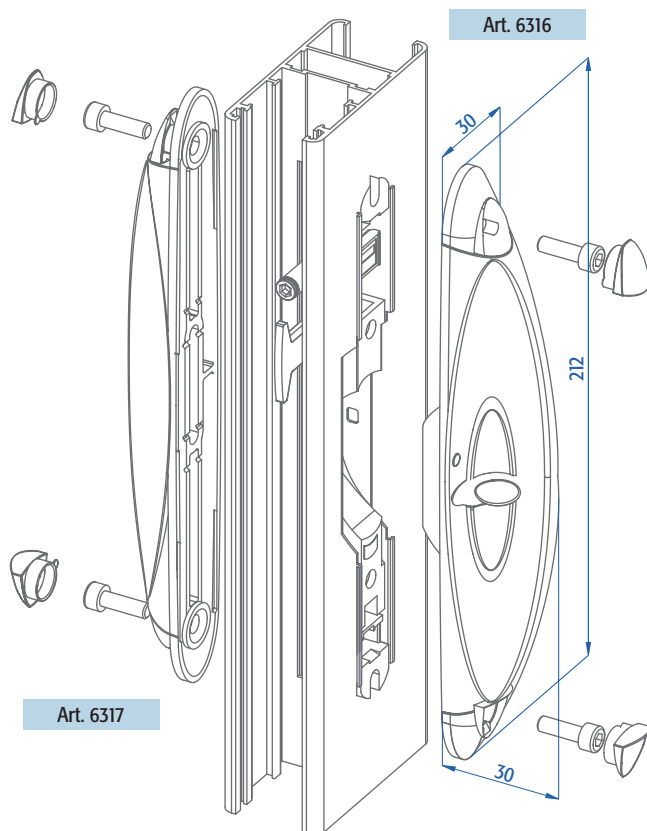


Fabricadas principalmente en zamak, disponibles en diferentes colores gracias al particular sistema de laqueado (termolaqueado a polvo, idéntico al perfil).

CONFEZIONAMENTO E FINITURE | PACKAGING AND FINISHES | CONDITIONNEMENT ET FINITIONS | EMBALAJE Y ACABADOS

ART.	6316	6317.20 6317.21 6317.22 6322.23
Imballo Package Conditionnement Embalaje	10 Pz	10 Pz
Finiture disponibili Available finishes Finitions disponibles Acabados disponibles	1 2 3 4 5 6	1 2 3 4 5 6

ESTRUSORE EXTRUDER	SERIE SERIES	MANIGLIA CON COMANDO (PER INTERNO) HANDLE WITH CONTROL (FOR INSIDE)	MANIGLIA FISSA (PER ESTERNO) FIXED HANDLE (FOR OUTSIDE)
ALCAN	Abithal Runner	6316	6317.20
	Abithal Runner 61 TT - 90 TT planare (anta 22410)	6316	6317.21
	Abithal Runner 61 - 90 planare(anta 21033)	6316	6317.21
ALEXIA	Alexia Slide 650 S	6316	6317.22
	Alexia Slide 650 ST	6316	6317.22
ALL.CO	EXPORT 60 S	6316	6317.20
	KS50	6316	6317.21
	Triall.co 65	6316	6317.22
	Triall.co 65 TT	6316	6317.22
	Triall.co 90	6316	6317.22
ALUK GROUP	SC70	6316	6317.20
	ALUMEC	ZN7 - 32	6316
ZN7 - 41 TT		6316	6317.23
CLL	Tecno 70 slide TT	6316	6317.21
EKU Sistemi (Gruppo Profilati)	PE 60 Slide	6316	6317.20
	PE 70 Slide	6316	6317.21
	PE 70 Slide TT	6316	6317.21
	PE 120 Slide TT	6316	6317.23
EQUIPE	Sistemi 8000 S	6316	6317.20
ETA	ETA 48 S	6316	6317.21
	Start 900s	6316	6317.22
	Start 900stt	6316	6317.22
ETNALL	TT SC 80	6316	6317.22
	40000	6316	6317.21
	40600	6316	6317.21



CONTINUA | CONTINUES | CONTINUE | CONTINÚA >

ESTRUSORE EXTRUDER	SERIE SERIES	MANIGLIA CON COMANDO (PER INTERNO) HANDLE WITH CONTROL (FOR INSIDE)	MANIGLIA FISSA (PER ESTERNO) FIXED HANDLE (FOR OUTSIDE)
GASTALDELLO SISTEMI	EL60 S	6316	6317.21
	EL60 SN	6316	6317.21
	EL90 S	6316	6317.23
	EL90 SN	6316	6317.23
HYDRO	Domal 40S	6316	6317.20
	Domal Slide 56 (anta 15190)	6316	6317.21
	Domal Slide 56 (anta 26255 e 26292)	6316	6317.21
	Domal Slide 80	6316	6317.23
	Domal Slide PA80	6316	6317.23
	Domal Slide PA110 (anta da 72)	6316	6317.23
	Domal Slide PA110 (anta da 82)	6316	6317.23
IBLEA COLOR GROUP	Eku Vuerre 100 STT	6316	6317.23
INDINVEST	Alpha 560 S	6316	6317.20
	Gold 650 S	6316	6317.22
	Gold 650 ST	6316	6317.22
MERCURI	D60 S	6316	6317.20
METRA	NC 60 Int.	6316	6317.20
	NC 60 STH	6316	6317.22
	NC 70 S	6316	6317.22
	NC90 Int.	6316	6317.22
OCMA	FC70 Parigi	6316	6317.20
	FC 80 MONACO	6316	6317.22
PASSERINI	Skeit 60	6316	6317.20
	Skeit 60 super anta da 32	6316	6317.21
	Skeit 60 super anta da 36	6316	6317.22
	Skeit 60 super TH	6316	6317.22
	Skeit 70	6316	6317.21
PONZIO	Sliding 600 (binari aperti)	6316	6317.21
	Sliding 600 (binari chiusi)	6316	6317.21
	Sliding 900	6316	6317.23
	Sliding 900 TT	6316	6317.23
RALOX	Ayrton 60	6316	6317.20
	Ayrton 60 TT	6316	6317.22
SAPA	Erre 50 S	6316	6317.20
	WIN 65 S	6316	6317.21
	WIN 65 S TT	6316	6317.21
	Win 90 S	6316	6317.23
	Win 90 STT	6316	6317.23
TOMA	Atlantis 78 S	6316	6317.23
	Atlantis 78 STT	6316	6317.23
TP PROFILATI	Ekos 60 STH	6316	6317.22
VARIE VARIOUS	60/s taglio a 45°	6316	6317.20
	60/s taglio a 90°	6316	6317.21